

SUBMERSIBLE MOTORS

1/4 HP-200 HP Frames 140TY to L360TY

With 70 years of motor experience, Reliance® submersible motors stand out among all others due to our attention to detail. The components of each motor work together as a system to deliver long life and guaranteed efficiencies which maximize up-time production capability. The Reliance submersible motor is designed for the toughest jobs. When conditions are extreme and performance is critical, these motors deliver the quality and durability needed.

STANDARD FEATURES

- **Certifications** – U.L.® and CSA listed for Class I Groups C&D hazardous locations
- **Frame** – Rugged cast iron ASTM type A-48, Class 30 or better
- **Hardware** – 316 stainless steel is standard
- **Stator Insulation** – Specially treated Class “F” and “H” non-hydroscopic insulation with multiple dips and bakes. Phase insulation included for inverter duty
- **Rotor** – Die cast aluminum, dynamically balanced. Exceeds NEMA limits per MG1 - 12.06
- **Shaft** – High strength, 416 stainless steel
- **Bearings** – Specially adapted for vertical assembly. Both upper and lower bearings are prepacked and sealed for life with special high temperature grease
- **Cable Entry System** – Epoxy sealed butt spliced connect for nonwicking cable entry design
- **Moisture System** – Two wire/two probe monitoring system constantly monitors oil chamber and stator housing for moisture
- **Seals** – Tandem (dual) shaftseal system working independent of each other. Designed to withstand 200 PSI at all seal locations

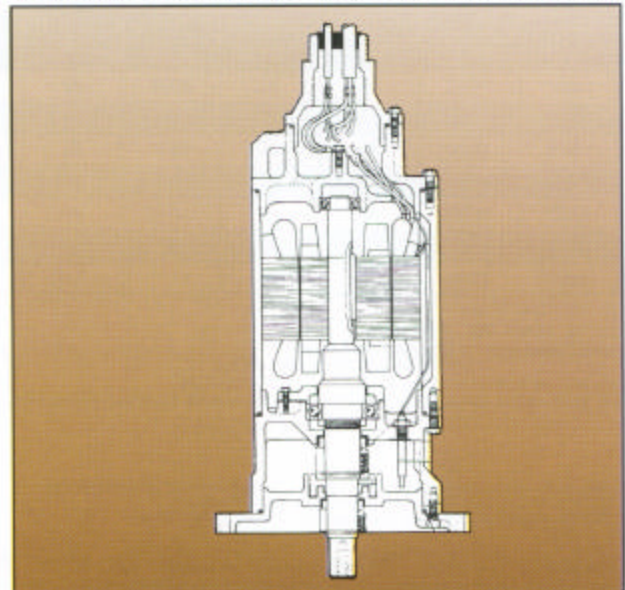
COMMITMENT TO QUALITY

Reliance submersible motors are manufactured at our Ashtabula, Ohio plant which is ISO 9001 certified.

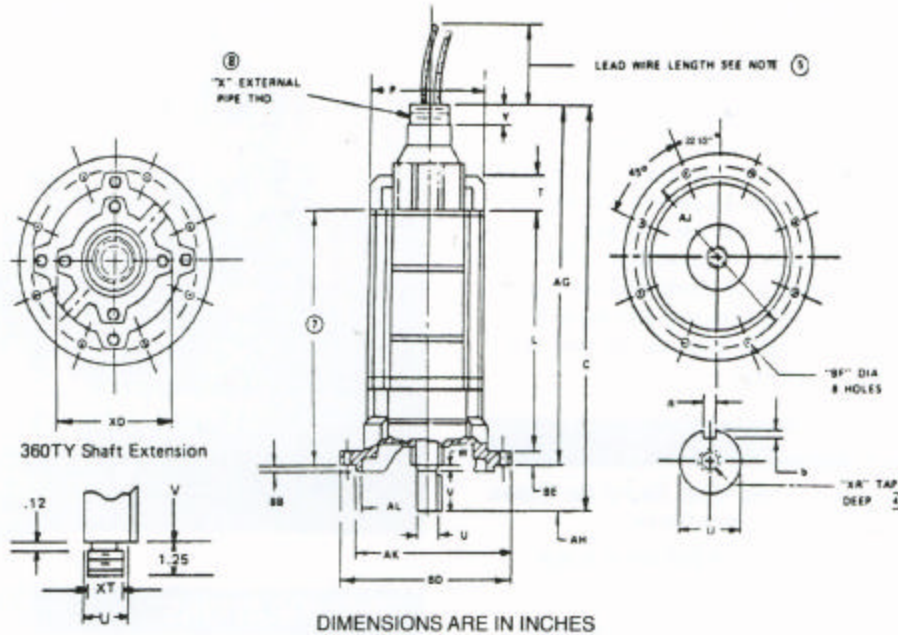


SPECIFICATIONS

Horsepower	1/4 to 200
Speed	3600, 1800, 1200, 900, 720, 600 RPM
Enclosure	TENV-Submersible
Frame	140TY-L360TY
NEMA Design	B
Power Supply	Single-phase, 60 Hz, 115/230 or Three-phase, 60 Hz, 208, 230, 460, 575 (A wide range of other frequencies and voltages are also available.)
Insulation	Class F
Duty	Continuous
Ambient	40°C
Service Factor	Three-Phase 1.15



SUBMERSIBLE MOTORS



DIMENSIONS

Frame	C	L	P	T	U(3)	V	W	AG	AH	AJ	AK(6)	AL(2)
140TY	25.44	15.38	8.00	2.25	.8750	1.25	.31	23.88	1.56	10.00	(9)	9.125
180TY	26.66	16.50	9.62	2.25	1.2500	2.00	.28	24.38	2.28	11.50	(9)	10.625
210TY	31.69	21.12	11.50	2.25	1.4380	2.00	.25	30.12	1.56	14.12	13.125	12.00
250TY	38.53	24.12	12.75	3.50	1.750	3.31	.25	35.50	3.03	16.00	15.000	14.00
320TY	43.12	24.69	15.75	4.25	2.500	3.19	2.12	37.81	5.31	17.25	16.000	15.25
360TY	49.81	31.25	18.38	4.25	2.4997	3.19	2.12	43.25	6.56	18.75	17.500	15.15
L360TY	51.81	33.25	20.38	4.25	2.4997	3.19	2.12	45.25	6.56	18.75	17.500	15.25

Frame	BD(1)	BE	BF	XR(4)	XT	Lead Connection			Keyway			Weight
						X(8)	Y	XD	BB	a	b	
140TY	11.062	.75	.44	3/8-16	(9)	2-1/2-8	1.25	5.50	.12	.187	.09	160
180TY	12.375	.75	.56	1/2-13	(9)	2-1/2-8	1.25	6.50	.12	.250	.12	200
210TY	15.250	.75	.56	5/8-11	(9)	2-1/2-8	1.25	7.75	.25	.375	.19	315
250TY	17.000	1.00	.69	5/8-11	(9)	2-1/2-8	1.25	7.75	.25	.375	.19	750
320TY	18.750	.88	.69	3/4-16	(9)	3/8	1.25	10.88	.25	.50	.25	1150
360TY	20.25	1.12	.69	(9)	1-1/2-12	3/8	1.25	10.88	.25	.50	3.00	1500
L360TY	20.25	1.12	.69		1-1/2-12	3/8	1.25	10.88	.25	.50	3.00	1550

- (1) "BD" varies ± .010
 (2) "AL" varies + .005, -.000
 (3) "U" varies up to 1.6250 dia. + .000, -.005
 1.6250 dia. and larger + .000, -.001
 (4) "XR" tap depth on 140TY is .88, on 180TY thru 250TY is 1.38
 (5) Standard lead wire length is 25 feet - other lengths available if specified on sales order.

- (6) "AK" varies +.000, -.002
 (7) Minimum submerged depth
 (8) Protective conduit furnished by customer if required.
 (9) Dimension not applicable to this frame.

Reliance® is a trademark of Reliance Electric Industrial Company or its subsidiaries.
 U.L.® is a registered trademark of Underwriter's Laboratories, Inc.
 CSA® is a registered trademark of the Canadian Standards Association.

THIS MATERIAL IS NOT INTENDED TO PROVIDE OPERATIONAL INSTRUCTIONS. APPROPRIATE RELIANCE ELECTRIC INDUSTRIAL COMPANY INSTRUCTION MANUALS AND PRECAUTIONS SHOULD BE STUDIED PRIOR TO INSTALLATION, OPERATION OR MAINTENANCE OF EQUIPMENT.

Reliance Electric / 24701 Euclid Avenue / Cleveland, Ohio 44117 / 216-266-7000

**RELIANCE
ELECTRIC**