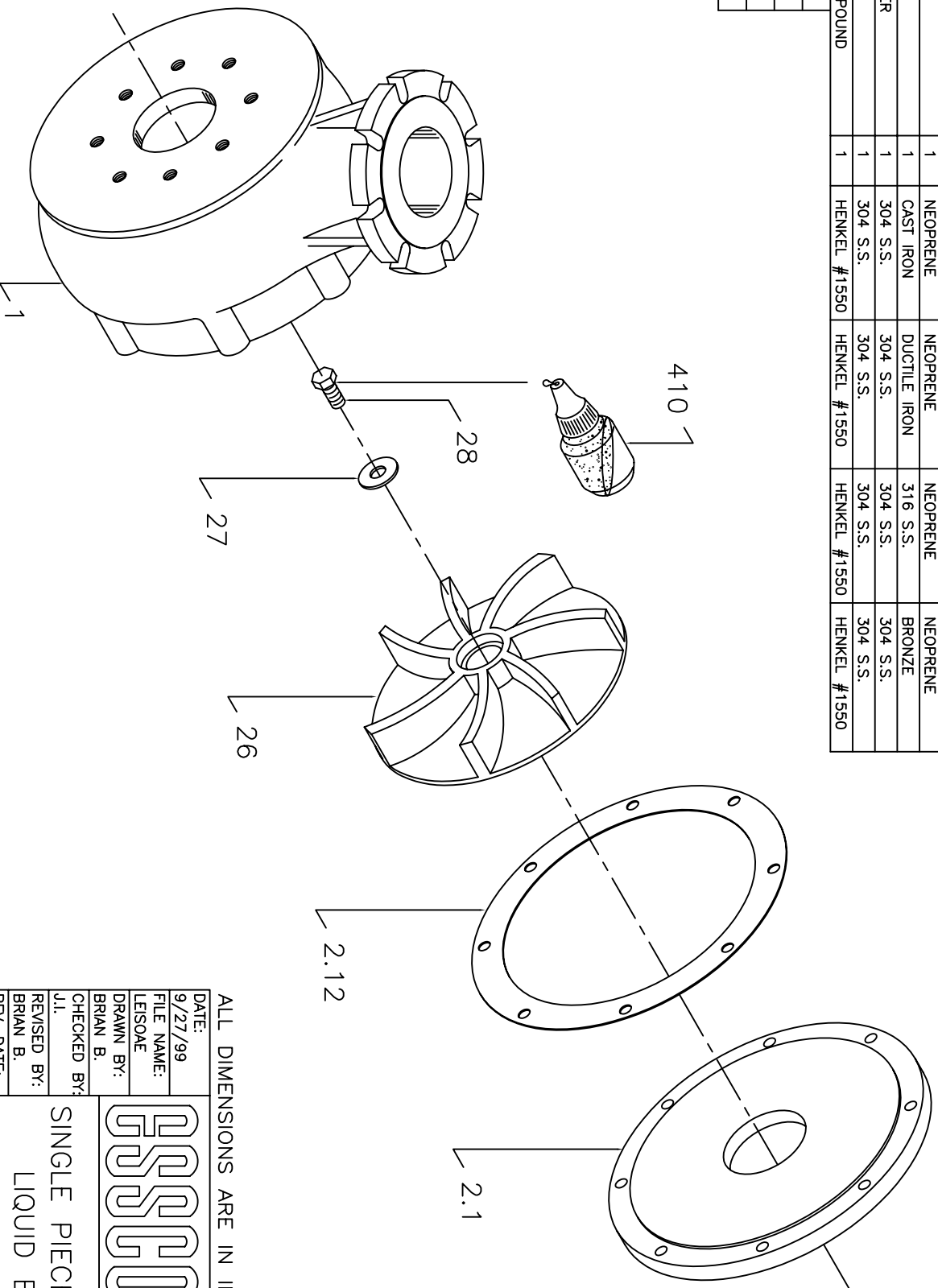


PARTS LIST		MATERIAL OF CONSTRUCTION				
NO.	DESCRIPTION	QTY	CAST IRON	DUCTILE IRON	316 S.S.	BRONZE
1	VOLUTE	1	CAST IRON	DUCTILE IRON	316 S.S.	BRONZE
2.1	WEAR PLATE {OPTIONAL}	1	CAST IRON	DUCTILE IRON	316 S.S.	BRONZE
2.12	SPLIT VOLUTE GASKET	1	NEOPRENE	NEOPRENE	NEOPRENE	NEOPRENE
26	IMPELLER	1	CAST IRON	DUCTILE IRON	316 S.S.	BRONZE
27	IMPELLER BOLT WASHER	1	304 S.S.	304 S.S.	304 S.S.	304 S.S.
28	IMPELLER BOLT	1	304 S.S.	304 S.S.	304 S.S.	304 S.S.
410	THREAD LOCKING COMPOUND	1	HENKEL #1550	HENKEL #1550	HENKEL #1550	HENKEL #1550
	CAST IRON					
	DUCTILE IRON					
	316 S.S.					
	BRONZE					



ALL DIMENSIONS ARE IN INCHES

DATE: 9/27/99
 FILE NAME: LEISOAE
 DRAWN BY: BRIAN B.
 CHECKED BY: J.I.
 REVISED BY: BRIAN B.
 REV. DATE: 5/14/03

ERSO PUMPS

SINGLE PIECE VOLUTE
 LIQUID END