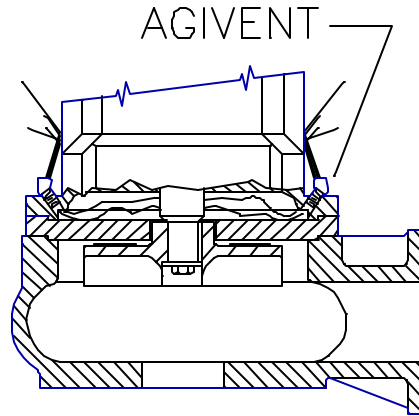




# ENGINEERS SALES-SERVICE COMPANY, INC.

4935 Telegraph Rd. ! Los Angeles, CA 90022  
Phone (213)261-2181 FAX (213)261-1523



## COOL AGIVENT (US PAT. 4,488,852)

The ESSCO Cool AGIVENT® is a patented device which vents the pump case and allows cooling of the pump motor when it is operated at levels as low as the mounting flange. The pump may be operated at very low liquid levels for extended periods of time as long as there is liquid in the volute. In addition, these devices can be used to agitate the wet well. With this device a more shallow wet well can be designed which

will reduce installation costs. In addition the Cool Agivent reduces thrust which can have an adverse effect on pumps required to operate at low flows and high Total Dynamic Heads. Standard on all ESSCO submersible pumps.

\\Lt-sales1\c-drive\Old Sales 3 Hard  
Drive\Data\TechApps\Agment.wpd