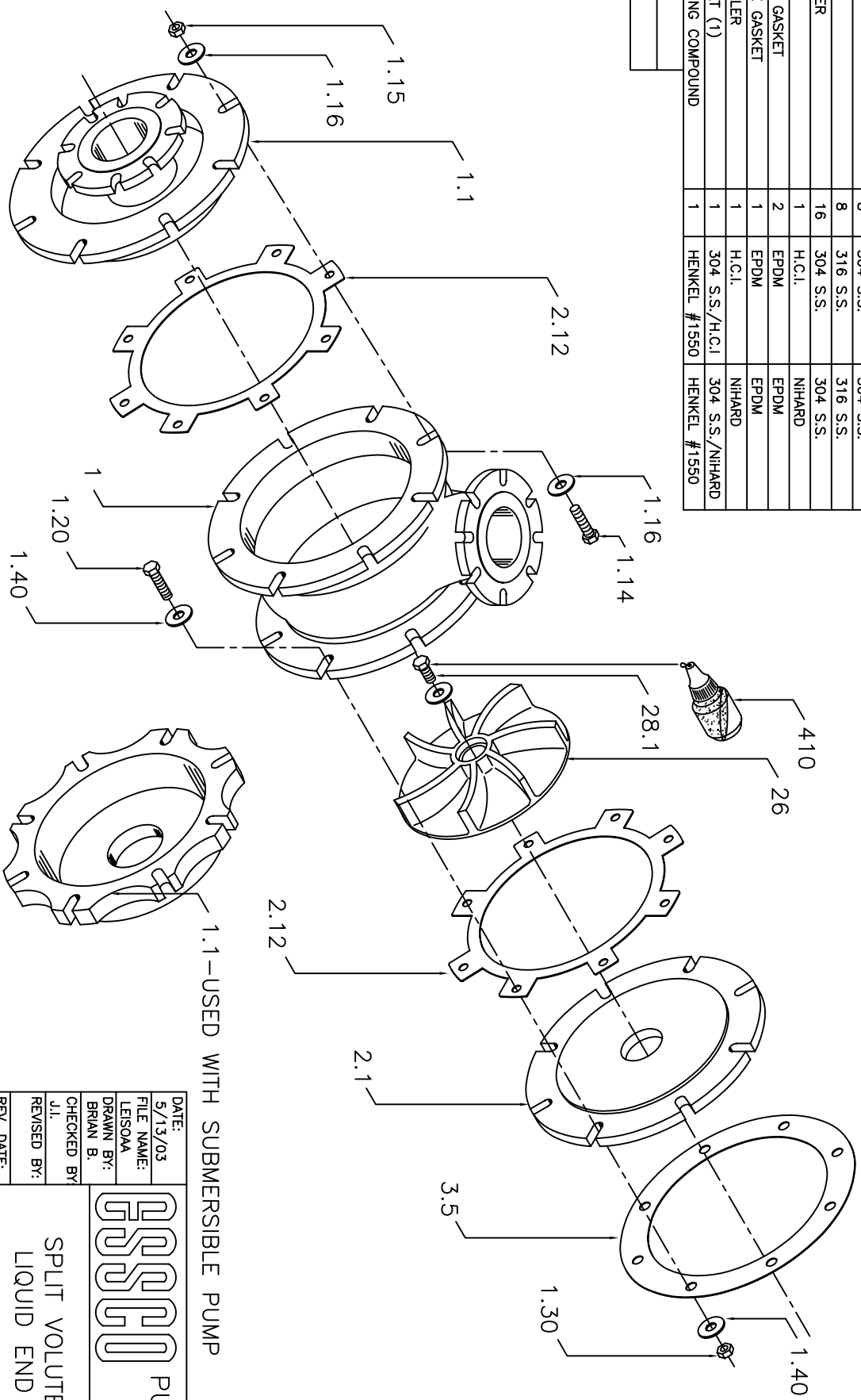


PARTS LIST			MATERIAL OF CONSTRUCTION	
NO.	DESCRIPTION	QTY	H.C.I.	NIHARD
1	VOLUTE	1	H.C.I.	NIHARD
1.1	SUCTION COVER	1	H.C.I.	NIHARD
1.14	SUCTION COVER BOLT	8	304 S.S.	304 S.S.
1.15	SUCTION COVER NUT	8	316 S.S.	316 S.S.
1.16	SUCTION COVER WASHER	16	304 S.S.	304 S.S.
1.20	VOLUTE BOLT	8	304 S.S.	304 S.S.
1.30	VOLUTE NUT	8	316 S.S.	316 S.S.
1.40	VOLUTE WASHER	16	304 S.S.	304 S.S.
2.1	WEAR PLATE	1	H.C.I.	NIHARD
2.12	SPLIT VOLUTE GASKET	2	EPDM	EPDM
3.5	STUFFING BOX GASKET	1	EPDM	EPDM
26	VORTEX IMPELLER	1	H.C.I.	NIHARD
28.1	IMPELLER BOLT (1)	1	304 S.S./H.C.I.	304 S.S./NIHARD
410	THREAD LOCKING COMPOUND	1	HENKEL #1550	HENKEL #1550
	550 BRN			
	650 BRN			

JOB# \_\_\_\_\_



1.1-USED WITH SUBMERSIBLE PUMP

DATE:	5/13/03
FILE NAME:	LEISOAA
DRAWN BY:	BRIAN B.
CHECKED BY:	J.I.
REVISED BY:	
REV. DATE:	

**ESSEX PUMPS**

SPLIT VOLUTE  
LIQUID END