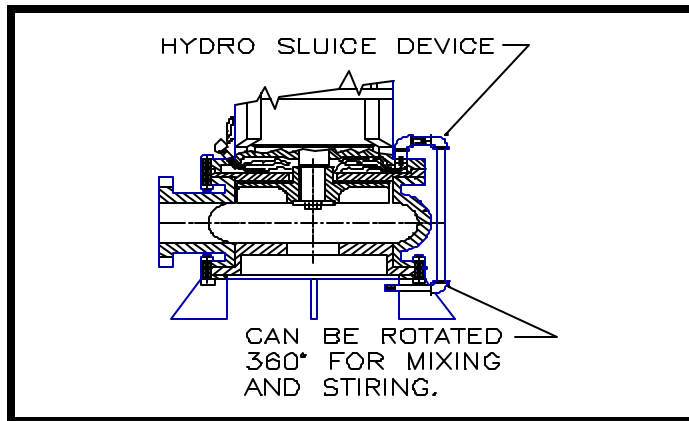




ENGINEERS SALES-SERVICE COMPANY, INC.

4935 Telegraph Rd. ! Los Angeles, CA 90022
Phone (213)261-2181 FAX (213)261-1523

HYDRO-SLUICE DEVICE (PATENT PENDING)

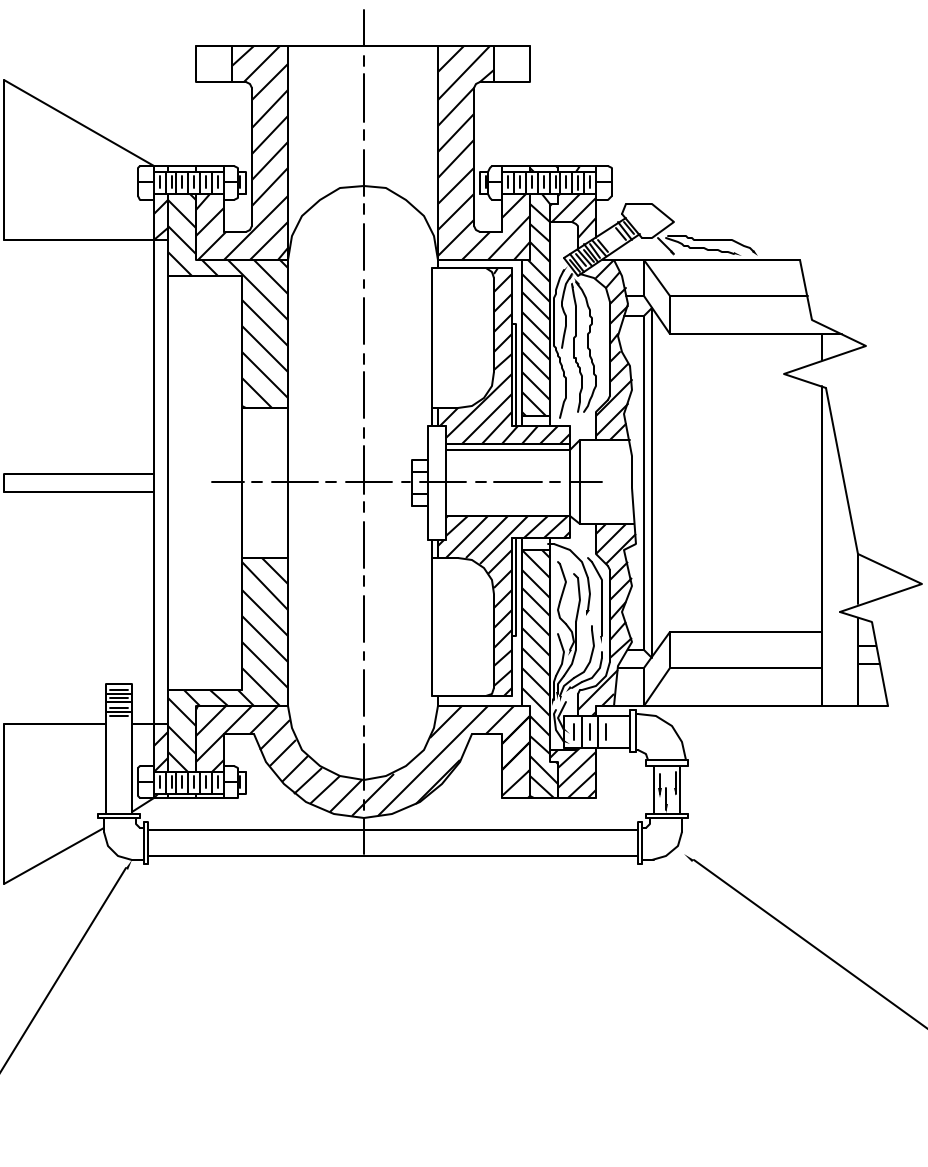


The Hydro-Sluice device is designed to mix and stir liquids and solids in a submersible pump wet well. The unit consists of one or two ports located on the motor flange mounting plate. The ports are supplied pressure by the pump impeller. A liquid labyrinth system is designed into the Hydro-Sluice device which precludes large solids from entering the seal chamber. The Hydro-Sluice device can be rotated in any direction to increase stirring action in areas of high grit concentration.

As an added benefit the Hydro-Sluice device can be used for reducing high thrust loads when the pump is operated toward shut-off. In such applications a wear plate is recommended in order to prevent solids from accumulating in the discharge ports. This device is available on all ESSCO submersible pump units.

ESSCO Cool Agivents may or may not be used with the Hydro-Sluice device.

HYDRO SLUICE DEVICE →



CAN BE ROTATED
360° FOR MIXING
AND STIRING. →